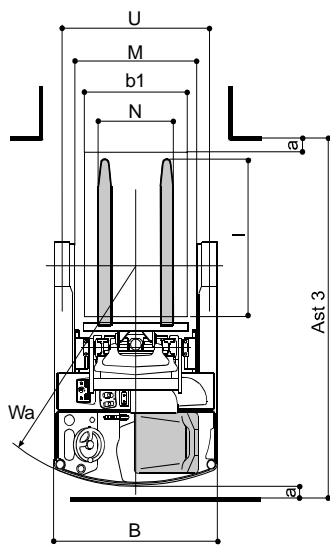
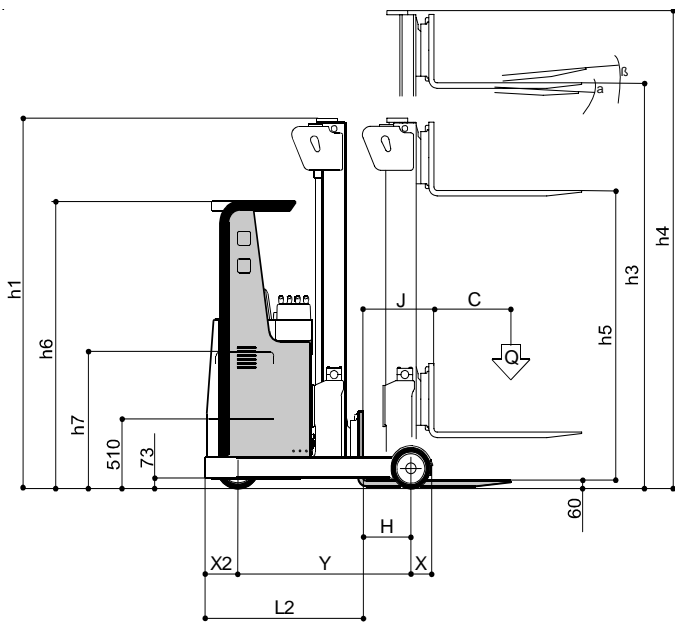




CLARK EUROPE GMBH
 Neckarstrasse 37
 D-45478 Mülheim an der Ruhr/Germany
 Tel.: +49 208 377336-0
 Fax: +49 208 377336-36
 www.clarkmheu.com
 info-europe@clarkmheu.com

1. Characteristics				
1.1	Manufacturer			CLARK
1.2	Model	Denomination of model in production		C RT14
1.3	Capacity	Q	nominal capacity	Kg. 1.400
1.4	Load center	c	distance to load center	mm 600
1.5	Power	E = Electric		E
1.6	Control	S = steering / R = rider		S / R
1.7	Service braking	M (mechanical) (hydraulic)		M - I
1.8	Parking brake	(.) pedal (..) parking		(.) (..)
2. Wheels				
2.1	Wheels type	vlk = vulkolan		vlk
2.2	Wheels	quantity (x=traction) front/rear	Nr.	1x 2
		front wheels size	mm	343
		rear wheels size	mm	300
3. Dimensions				
3.1	Mast	h5	full free lift for duplex mast (option)	mm /
		h3	lifting height	mm 6.000
		h2	standard free lift	mm /
		h5	full free lift triplex mast	mm 2.060
		h1	minimum height overall dimension	mm 2.615
		h4	maximum height overall dimension	mm 6.595
3.2	Forks holder plate	b1	width / Fem	mm 800 / II A
3.3	Forks	L/s	length (L) x width (b) x thcikness (s)	mm 1.150 x 100 x 35
3.4	Tilting	a/β	forward/backward	° 3 / 5
3.5	Max. dimensions	L2	length overall including forks face	mm 1.224
		B	width	mm 1.270
		h6	overall height overhead guard	mm 2.100
		h7	operators seat height from ground	mm 1.000
3.6	Wheel base	Y	wheel base	mm 1.346
3.7	Wheel base	at wheels center front/rear		mm - / 1.130
3.8	Clearance	chassis		mm 80
		outriggers		mm 70
3.9	Distance load	x	from load to front axle	mm 170
3.10	Turning radius	Wa	radius	mm 1.600
3.11	Stacking aisle	Ast3	with pallet (800x1.200 / 1.000x1.200)	mm 2.624
				mm
4. Performances				
4.1	Speeds	traction with/without load		km/h 12.5 / 11.5
		lifting with/without load		m/sec 0.30 / 0.48
		lowering with/without load		m/sec 0.53 / 0.60
4.2	Tractive force	nominal 60' with/without load		DcN /
4.3	Max. tractive force	for 5' with/without load		DcN /
4.4	Gradeability	nominal 30' with/without load		% /
4.5	Max. gradeability	for 5' with/without load		% 13 / 20
4.6	Acceleration time	from 0 to 10 m with/without load		sec /
5. Weight				
5.1	Total weight	battery included		Kg. 3.350
5.2	Axle loading	with load forward/backward		Kg. 2.908 / 1.846
		without load forward/backward		Kg. 1.200 / 2.150
6. Motors - Battery				
6.1	Battery	voltage	V	48
		capacity	Ah	450
		min. weight	Kg.	730
6.2	Electrical motors	traction (S2 - 60')	KW	4.5
		lifting (S3 - 20%)	KW	9
		servo steering	KW	0.5
6.3	Hydraulic pressure	max. pressure		bar 160
6.4	Noise Level	operators place		dB < 70



x2	back protection part	mm	254
X	load distance from center of front axle	mm	170
H	forks surface distance from front axle	mm	376
Y	wheel base	mm	1.346
L2	length overall including forks face	mm	1.224
J	mast advancement	mm	550
B	overall width	mm	1.270
N	forks outside maximum dimension	mm	770
M	distance among spokes	mm	948
I	forks length	mm	1.150
c	distance to load center	mm	600
U	front track	mm	1.130
a/B	tilting forward/backward	°	3 / 5
a	safety distance	mm	100
Wa	turning radius	mm	1.600
Ast3	stcking aisle	mm	2.624

Mast			duplex FFL	triplex FFL					
h3	lifting	mm	4.030	4.500	5.250	6.000	6.750	7.500	8.250
h1	min.height	mm	2.635	2.115	2.365	2.615	2.865	3.115	3.365
h5	full free lift	mm	1.985	1.560	1.810	2.060	2.310	2.560	2.810
h4	max. height	mm	4.585	5.095	5.845	6.595	7.345	8.095	8.845
Q_R	capacity	kg	1.400	1.400	1.400	1.400	1.400	1.250	1.0000
c	load center	mm	600	600	600	600	600	600	600



C RT 14
Reach-Truck